



# PUSH-TO-CONNECT FITTINGS

For Pneumatic Automation and Aggressive Service Applications



ENGINEERING YOUR SUCCESS.

# Connecting you to higher productivity.

Improved throughput, increased efficiency, smaller footprints, faster assembly, and leak-free innovation.

Our technically superior push-to-connect fittings, valves, cartridges, tubing, and accessories have been designed to engineer your success, offering you new ways to create value. Our partnership approach allows us to work together to create the solutions you need to operate more efficiently and effectively.

## FOOD PROCESSING

Meeting Stringent Sanitary and Aseptic Standards

### Types of Applications

MIXING • BAKING • COOLING • PACKAGING • FILLING • WASHING • LABELING • CONVEYING

### Performance Expectations

- FDA compliance
- Hygienic design
- Compact
- Highly reliable
- Ability to work in vacuum
- Wide range of chemical compatibility
- Ability to withstand high temperatures
- Detectability

### Applicable Products

Prestolok® PLM Metal Fittings  
Prestolok® PLS Stainless Steel Fittings  
LIQUIfit™ Thermoplastic Fittings  
TrueSeal™ Thermoplastic Fittings  
Flow Controls



## WATER AND BEVERAGE

Keeping it Clean, Keeping it Safe

### Types of Applications

FILTRATION • PURIFICATION • PROCESSING • DISPENSING • BOTTLING • TREATMENT

### Performance Expectations

- Manufactured from FDA-compliant materials
- Meets NSF/ANSI 61 requirements for potable water contact
- Excellent chemical resistance
- Wide range of materials for fluid compatibility
- Mechanical resistance
- Installation flexibility

### Applicable Products

LIQUIfit™ Thermoplastic Fittings  
TrueSeal™ Thermoplastic Fittings  
Check Valves  
Thermoplastic Ball Valves



## PULP AND PAPER

Highly Durable in Corrosive Applications

### Performance Expectations

- High reliability
- Maximum chemical resistance
- Cleanliness

### Applicable Products

PLS Stainless Steel Fittings  
Stainless Steel Flow Controls  
TrueSeal™ Kynar® Fittings



## PETROCHEMICAL

Improving Durability, Lessening Risk

### Types of Applications

PROCESSING • TRANSFERRING • PNEUMATIC CIRCUITS • COOLING • MEASURING

### Performance Expectations

- High chemical resistance
- Robust design
- Wide temperature range
- Quality traceability

### Applicable Products

Prestolok® PLP Fittings  
Prestolok® PLM Metal Fittings  
Prestolok® PLS Stainless Steel Fittings  
TrueSeal™ Kynar® Fittings  
Flow Controls

## LIFE SCIENCE

Collaborating for Leak-Free Innovation

### Types of Applications

OXYGEN TRANSFER • FLUID TRANSFER • DISPENSING • CLEANING AND STERILIZATION • PNEUMATIC CIRCUITS

### Performance Expectations

- Quality traceability
- Cleanliness
- Compact design
- Suitable for use with O<sub>2</sub>
- High reliability
- Installation flexibility

### Applicable Products

Prestolok® PLP Composite Fittings  
Prestolok® PLM Metal Fittings  
Prestolok® PLS Stainless Steel Fittings  
LIQUIfit™ Thermoplastic Fittings  
TrueSeal™ Thermoplastic Fittings  
Flow Controls

## FACTORY/PROCESS AUTOMATION

Increasing Performance, Standardizing Inventory

### Types of Applications

PROCESSING • TRANSFERRING • PNEUMATIC CIRCUITS • COOLING • MEASURING

### Performance Expectations

- Compact design
- Weld splatter resistance
- Robustness
- Vacuum performance
- High reliability
- Mechanical resistance
- Installation flexibility

### Applicable Products

Prestolok® PLP Composite Fittings  
Prestolok® PLP Fittings  
Prestolok® PLM Metal Fittings  
Prestolok® PLS Stainless Steel Fittings  
LIQUIfit™ Fittings  
TrueSeal™ Thermoplastic Fittings  
Flow Controls

## AUTOMOTIVE WELDING

Wide Temperature Range, Weld Spatter Resistant

### Performance Expectations

- High reliability
- Chemical and weld spatter resistant
- Ability to withstand high temperatures

### Applicable Products

PLM Metal Fittings  
Metal Flow Controls



# Product Line

## PLP Series



### Prestolok® PLP Composite

#### Specifications:

##### Pressure Range

- Up to 290 PSI (19.9 bar)
- Up to 260 PSI (17.9 bar) (3/16" tubing size only)

##### Temperature

- -4° to +175° F (-20° to +79.4°C)
- 5° to 155° F (-15° to +68.3°C) (3/16" size only)

#### Product Features:

- Stainless steel gripping ring
- Glass-reinforced nylon 6.6 body
- Nitrile D-seal for air and inert gas
- NPT, BSPT, BSPP, metric threads & plug-in options
- Widest range of configurations
- Round internal hex on straights allows for easy assembly in tight areas
- Oxygen cleaning available - Meets ISO 15001

**Applications:** Dry bulk packaging, factory automation, life sciences (respiratory)

**Compatible Tubing:** Nylon, Polyurethane 95 Durometer Shore A, Fluoropolymer



### Prestolok® PLP

#### Specifications:

##### Pressure Range

- Up to 300 PSI (20.6 bar) depending on tubing

##### Temperature

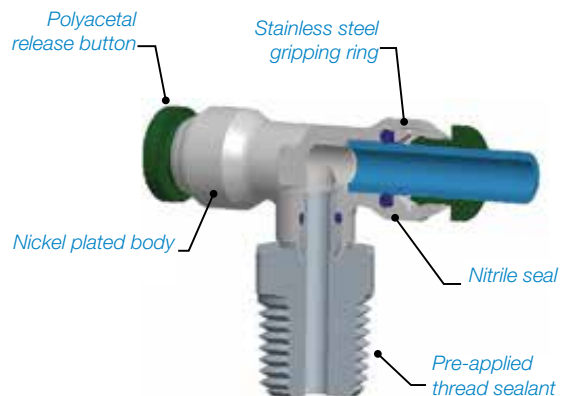
- 0° to +200° F (-17.7° to +93.3° C)

#### Product Features:

- Stainless steel gripping ring
- Nickel-plated brass body
- Nitrile seal (EPDM & FKM available)
- NPT threads
- Available in Inch only

**Applications:** Dry bulk packaging, factory automation, car wash equipment

**Compatible Tubing:** Nylon, Polyurethane 95 Durometer Shore A, Polyethylene, Polypropylene



# Product Line

## PLM & PLS Series



### Prestolok® PLM Metal

#### Specifications:

##### Pressure Range

- Up to 435 PSI (30 bar)
- Up to 290 PSI (20 bar) for 169PLM

##### Temperature

- -4° to +302° F (-20° to +150° C)



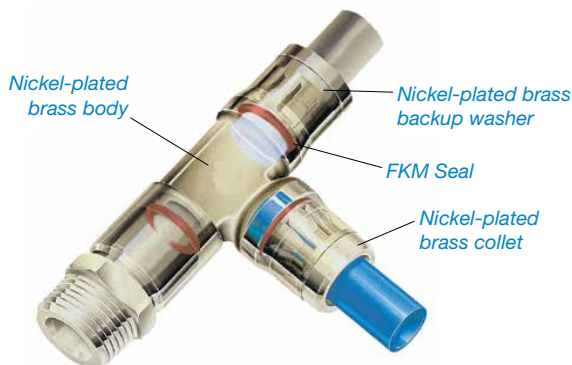
Note: Units with thread sealant do not meet FDA compliance.

#### Product Features:

- Electroless nickel-plated collet and body for chemical and welding spark resistance
- FKM seal for chemical and air applications
- NPT, BSPT, BSPP, and metric threads
- Round internal hex on straights allows for easy assembly in tight areas

**Applications:** Food wash down for OEM, automotive welding

**Compatible Tubing:** Nylon, Polyurethane 95 Durometer Shore A, Polyethylene, Stainless Steel (grooved), Copper (grooved)



### Prestolok® PLS Stainless Steel

#### Specifications:

##### Pressure Range

- Up to 435 PSI (30 bar)
- Up to 290 PSI (20 bar) for 169PLS

##### Temperature

- -4° to +302° F (-20° to +150° C)



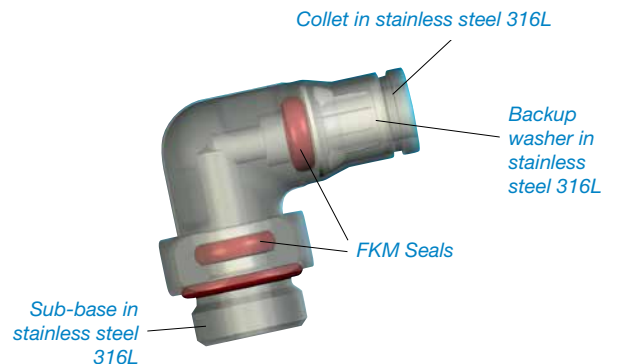
Note: Units with thread sealant do not meet FDA compliance.

#### Product Features:

- Stainless steel 316L body, collet, & backup washer provide maximum resistance to chemicals, corrosion, shock and abrasion
- FKM seal for chemical and air applications
- NPT, BSPT, BSPP, and metric threads
- Hygienic smooth design reduces retention zones for easy cleaning

**Applications:** Food wash down for MRO, pulp and paper

**Compatible Tubing:** Nylon, Polyurethane 95 Durometer Shore A, Polyethylene, Stainless Steel (grooved), Copper (grooved)



# How to Order

PLP Composite, PLP, PLM Electroless Nickel-Plated Brass & PLS Stainless Steel

## INCHES PLM, PLS, PLP PLUS AND PLP COMPOSITE FITTINGS

W 3 69 PLP BJ -4 -2  
**A B C D E F G**

## METRIC PLM, PLS, PLP PLUS, AND PLP COMPOSITE FITTINGS

W 3 69 PLP X 6M 2 R  
**A B C D E F G H**

### A Thread Sealant

W White Acrylic  
 Blank No Sealant

### B Body Material

1 Metal Forging  
 3 Composite

### C Fitting Configuration

62 Union Y  
 66 Female Connector  
 68 Male Connector  
 70 Female Elbow  
 64 Union Tee  
 65 Union Elbow  
 69 Male Elbow  
 71 Male Run Tee  
 72 Male Branch Tee  
 47 Cross  
 79 45° Elbow  
 22 Barbed Connector  
 32 Union  
 24 Multiple Tee  
 67 Tube Reducer  
 639 Plug

### D Fitting Series

PLP Prestolok Plus & Prestolok Composite  
 PLM Prestolok All Metal  
 PLS Prestolok Stainless Steel

### E Fitting Description

X Extended Male Elbow  
 SP Standpipe  
 PD Double Y  
 BJ Banjo  
 TJ Twin Banjo  
 DJ Double Banjo  
 BH Bulkhead Union  
 DSP Plug-in Multiple Y  
 RC Rail Connector  
 DRC Double Rail Connector  
 BHP Plug-in Bulkhead

### F Tube Size

Inches		Metric	
2	1/8	4M	4mm
3	3/16	6M	6mm
5/32	5/32	8M	8mm
4	1/4	10M	10mm
5	5/16	12M	12mm
6	3/8	14M	14mm
8	1/2		

### H Thread Type

**Metric**  
 R BSPT  
 G BSPP

### G Thread Size

Inches		Metric	
0	10-32	2	1/8
1	1/16	4	1/4
2	1/8	6	3/8
4	1/4	8	1/2
6	3/8	M3	M3X0.5
8	1/2	M5	M5X0.8
		M7	M7X1
		M10	M10X1
		M12	M12X1.5

Note: Not all Fitting Configurations are available in all Series, Tube OD, and/or Thread size

# Complete Range

## Prestolok® PLP Composite Fittings

### threaded fittings

**W68LF**  
Male Connector  
NPT or BSPT



**68LFR**  
Male Connector  
UNF, M5 or M7



**68LF**  
Male Connector  
BSPP or metric



**66LF**  
Female Connector  
NPT or BSPP



**W369PLP**  
Male Elbow  
UNF, NPT or BSPT



**369PLP**  
Male Elbow  
BSPP or metric



**W369PLPX**  
Male Elbow  
UNF, NPT or BSPT



**369PLPX**  
Male Elbow  
BSPP or metric



**W369PLP0**  
Male Elbow  
oscillating, NPT or  
BSPT



**369PLP0**  
Male Elbow  
oscillating,  
parallel



**370PLP**  
Female Elbow  
NPT or BSPP



**W379PLP**  
45° Male Elbow  
UNF, NPT or BSPT



**379PLP**  
45° Male Elbow  
BSPP or M5



**W372PLP**  
Male Branch Tee  
NPT or BSPT



**372PLP**  
Male Branch Tee  
BSPP or M5



**377PLP**  
Female Branch Tee  
NPT



**W371PLP**  
Male Run Tee  
UNF, NPT or BSPT



**371PLP**  
Male Run Tee  
BSPP or M5



**W68PLPSP**  
Male Standpipe  
UNF, NPT or BSPT



**68PLPSP**  
Male Standpipe  
BSPP or M5



**368PLP**  
Y Male Connector  
NPT or BSPT



**368PLP**  
Y Male Connector  
BSPP or M5



**368PLPD**  
Double Y Male  
Connector  
BSPP



**W369PLPBJ**  
Banjo  
UNF, NPT or BSPT



**369PLPBJ**  
Banjo  
BSPP, M3 or M5



**367PLPBJ**  
Banjo Bolt  
BSPP



**369PLPTJ**  
Twin Banjo  
BSPP or M5



**32PLPDJ**  
Double Banjo  
BSPP or M5



**369PLPTJ**  
Triple Banjo  
UNF or NPT



### tube to tube fittings

**32PLP**  
Union



**365PLP**  
Union Elbow



**364PLP**  
Union Tee



**362PLP**  
Union Y



**362PLPD**  
Multiple Union Y



**24PLP**  
Multiple Tee



**24PLPD**  
Double Multiple  
Tee



**347PLP**  
Equal Cross



**347PLP**  
Unequal Cross



### bulkhead connector fittings

**365PLPBH**  
Equal Bulkhead  
Elbow



**32PLPBH**  
Bulkhead Union



**32PLPBHP**  
Plug-in Bulkhead  
Union



### plug-in fittings

**369PLPSP**  
Plug-In Elbow



**369PLPSPX**  
Extended Plug-In  
Elbow



**379PLPSP**  
45° Plug-In Elbow



**372PLPSP**  
Plug-In Tee



**371PLPSP**  
Plug-In Run Tee



**362PLPSP**  
Plug-In Y



**362PLPDSP**  
Plug-In Multiple Y



**67PLP**  
Reducer



**32PLPSP**  
Expander



# Complete Range

## Prestolok® PLP Composite Fittings

### modular fittings

#### 369PLPBJB

Single Banjo Bodies



#### 32PLPDJB

Double Banjo Bodies



#### 369PLPTJB

Twin Banjo Bodies



#### 68BJB

Single Banjo Bolt  
BSPP or M5



#### 68BJBD

Stacking Banjo  
BSPP or M5



#### 68BJBT

Stacking Banjo  
BSPP



#### 68BJB

Female Threaded  
Banjo Bolt  
BSPP



### accessories

#### 63PLP

Clip



#### 3151PLP

End Cap



#### 63PLP

Double Male  
Union



#### 639PLP

Plug



#### 322PLPSP

Barbed Connector



#### 3100

Carstick®  
Cartridge



#### 32PLPRC

Connector for  
2 Tubes In Line



#### 32PLPDRC

Connector for  
3 Tubes



#### 3000 70 00

Disconnection  
Tool



#### 3110/3330

Caps



#### PTC-001

Tube Cutter



## Prestolok® PLP Fittings

### threaded fittings

#### 68PLPR

Male Connector  
Round Body NPT



#### W169PLP

Male Elbow Swivel  
NPT



#### W169PLPNS

Male Elbow NPT



#### W171PLP

Male Run Tee  
Swivel NPT



#### W172PLP

Male Branch Tee  
Swivel NPT



#### W68PLP

Male Connector  
NPT



#### 66PLP

Female Connector  
NPT



#### 68PLP

Male Connector  
NPT



#### PLPHBF4-B

Male Connector  
NPT



### tube to tube

#### 164PLP

Union Tee NPT



#### 165PLP

Union Elbow NPT



#### 62PLP

Union NPT



### bulkhead union

#### 62PLPBH

Bulkhead Union  
NPT



#### 66PLPBH

Female Bulkhead  
Union NPT





# Complete Range

## PLM All Metal Fittings

### threaded fittings

#### 68PLM

Male Connector  
UNF, NPT or BSPT



#### 68PLM

Male Connector  
BSPP or metric



#### 66PLM

Female Connector  
NPT, BSPP or M5



#### 169PLM

Male Elbow  
UNF, NPT or BSPT



#### 169PLM

Male Elbow  
BSPP or metric



#### 169PLMX

Extended Male  
Elbow  
NPT or BSPT



#### 169PLMX

Extended Male  
Elbow  
BSPP or M5



#### 172PLM

Male Branch Tee  
UNF or BSPT



#### 172PLM

Male Branch Tee  
BSPP or M5



#### 171PLM

Male Run Tee  
NPT or BSPT



#### 171PLM

Male Run Tee  
BSPP or M5



#### 68PLMSP

Male Standpipe  
BSPT



#### 68PLMSP

Male Standpipe  
BSPP or M5



### banjo

#### 169PLMBJ

Banjo  
BSPP or M5



### tube to tube fittings

#### 62PLM

Union



#### 165PLM

Union Elbow



#### 164PLM

Union Tee



### bulkhead connectors

#### 62PLMBH

Bulkhead Union



#### 66PLMBH

Female Bulkhead



#### 165PLMBH

Bulkhead Elbow



### accessories

#### 67PLM

Plug-In Reducer



#### 62PLMSP

Plug-In Expander/  
Adapter



#### 122PLMSP

Plug-In Barbed  
Connector



#### 63PLM

Double Male  
Union



#### PLMC

Cartridge



#### 639PLP

Plug



#### 639PLM

Plug



## PLS Stainless Steel Fittings

### threaded fittings

#### 68PLS

Male Connector  
UNF, NPT or BSPT



#### 68PLS

Male Connector  
BSPP or M5



#### 169PLS

Male Elbow  
NPT or BSPT



#### 169PLS

Male Elbow  
BSPP



#### 169PLSX

Extended Male  
Elbow  
NPT or BSPT



#### 169PLSX

Extended Male  
Elbow  
BSPP or M5



#### 172PLS

Male Branch Tee  
NPT



#### 172PLS

Male Branch Tee  
BSPP or M5



#### 171PLS

Male Run Tee  
NPT



#### 171PLS

Male Run Tee  
BSPP



#### 68PLPSP

Male Standpipe  
NPT or BSPT



#### 68PLPSP

Male Standpipe  
BSPP or M5



### tube to tube fittings

#### 62PLS

Union



#### 165PLS

Union Elbow



#### 164PLS

Union Tee



#### 62PLSBH

Bulkhead Union



### accessories

#### 67PLS

Plug-In Reducer



#### 639PLS

Plug



#### PLSC

Cartridge



#### 639PLP

Plug



# Flow Control Valves



## Specifications:

### Pressure Range

- 15 to 145 PSI (1.0 to 9.9 bar)

### Temperature

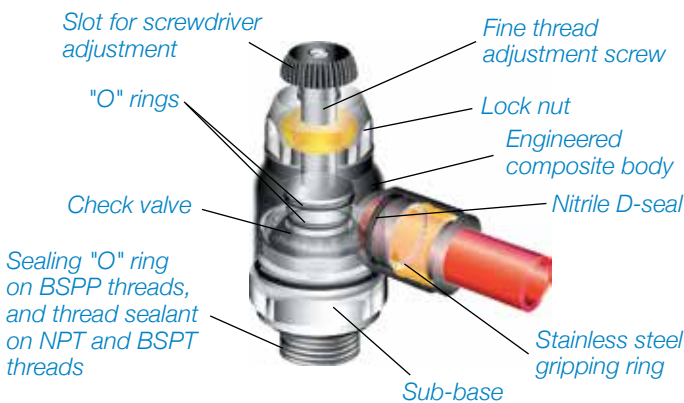
- 30° to 160° F (-1.1° to +71.1°C)

## Product Features:

- Control the speed of a pneumatic cylinder
- Composite, metal, and stainless available
- Metering out and metering in configurations
- Adjustment screw or knobless available
- Threaded, swivel, in-line, and plug-in configurations
- Compact and miniature designs
- Stainless steel offers hygienic design for wash down applications

**Applications:** Packaging, filling, dispensing, bottling, pneumatic circuits

**Compatible Tubing:** Polyethylene, Polyurethane 95 Durometer Shore A, Semi-rigid Nylon, FEP Fluoropolymer



## How to Order

### FRACTIONAL INCH & METRIC

- A
- B
- C

#### A Series/Configuration

FCC731	Compact Meter Out	FCMS	Swivel Meter Out Miniature
FCCI731	Compact Meter In	FCMSI	Swivel Meter In Miniature - BSPP
FCCB731	Compact Bi-Directional	FCMSPI	Plug-In Meter In Miniature
FCKC731	Compact Knobless Meter Out	FCMSP	Plug-In Meter Out Miniature
FCKCI	Compact Knobless Meter In	FCCSP	Plug-In Meter Out Compact
FCM	Miniature Meter Out	FCCSPI	Plug-In Meter In Compact
FCMI	Miniature Meter In	FC	In-Line
FCKB	Miniature Bi-Directional	FCB	In-Line Bi-Directional
FCMK	Miniature Meter Out Knobless	FCPM	In-Line Panel Mountable
FCCS	Swivel	FCI	Metal Meter In - BSPP

#### B Tube/Stem Size

2	1/8	6	3/8
3M	3mm	8	1/2
4M	4mm (5/32)	10M	10mm
4	1/4	12M	12mm
6M	6mm	14M	14mm
8M	8mm (5/16)		

#### C Thread or Tube OD

BLANK	No Threads	4G	1/4 BSPP
M3	M3	4R	1/4 BSPT
0	10-32	6	3/8 NPT
M5	M5	6G	3/8 BSPP
2	1/8 NPT	6R	3/8 BSPT
2G	1/8 BSPP	8	1/2 NPT
2R	1/8 BSPT	8G	1/2 BSPP
4	1/4 NPT	8R	1/2 BSPT

# Complete Range

## Flow Controls

### Compact Flow Controls

**FCC731**  
Meter Out



**FCC731**  
Meter Out - BSPT



**FCC731**  
Meter Out - BSPP



**FCCI731**  
Meter In



**FCCI731**  
Meter In - BSPT



**FCCI731**  
Meter In - BSPP



**FCCB731**  
Bi-Directional



**FCCB731**  
Bi-Directional - BSPT



**FCCB731**  
Bi-Directional - BSPP



**FCKC731**  
Meter Out Knobless



**FCKC731**  
Meter Out Knobless - BSPP



**FCKCI731**  
Meter In Knobless



**FCKCI731**  
Meter In Knobless - BSPP



**FCKCB731**  
Bi-Directional Knobless - BSPP



**FCK701C**  
Knobless Compression Metal - BSPP



### Miniature Flow Controls

**FCM731**  
Meter Out



**FCMI731**  
Meter In



**FCM731**  
Meter Out - BSPT



**FCMI731**  
Meter In - BSPT



**FCM731**  
Meter Out - BSPP



**FCMI731**  
Meter In - BSPP



**FCMB731**  
Bi-Directional - BSPP



**FCMK731**  
Meter Out Knobless



### Swivel Outlet Flow Controls

**FCCS731**  
Meter Out



**FCCS731**  
Meter Out - BSPT



**FCCSI731**  
Meter In - BSPP



**FCMS731**  
Meter Out Miniature



**FCMS731**  
Meter Out Miniature - BSPT



**FCMS731**  
Meter Out Miniature - BSPP



**FCMSI731**  
Meter In Miniature - BSPP



**FCCS731**  
Meter Out - BSPP



### Plug-In Flow Controls

**FCMSP731**  
Meter Out Miniature



**FCMSPI731**  
Meter In Miniature



**FCMSP701**  
Meter Out Miniature



**FCMSPI731**  
Meter In Miniature



**FCCSP731**  
Meter Out Compact



**FCCS731**  
Meter In Compact



### In-Line Flow Controls

**FC832**  
In-Line



**FCB832**  
Bi-Directional



**FC832**  
In-Line Metric



**FCB832**  
Bi-Directional Metric



**FCPM832**  
Panel Mountable



**FC836**  
Threaded In-Line



**FC836**  
Threaded In-Line Metric



### Metal Flow Controls

**FC705**  
Meter Out



**FC701**  
Meter Out - BSPP



**FCI701**  
Meter In - BSPP



**FC708**  
Meter Out



**FC702**  
Meter Out - BSPP



# Product Matrix

Tube Ø or Thread	Tube Ø or Thread	Compact Flow Controls	Miniature Flow Controls	Swivel Outlet Flow Controls	Plug-In Flow Controls	In-Line Flow Controls	Metal Flow Controls	Stainless Steel Flow Controls	Bi-Directional Flow Controls	Stainless Bi-Directional Flow Control
10-32	10-32									
M5	M5									
1/8	Tube Ø or Thread									
	10-32									
	1/8									
3mm	M3									
	M5									
4mm (5/32)	Tube Ø or Thread									
	M3									
	10-32									
	M5									
	1/8									
	1/4									
1/4	Tube Ø or Thread									
	10-32									
	1/8									
	1/4									
6mm	Tube Ø or Thread									
	M5									
	1/8									
	1/4									
	3/8									
8mm (5/16)	Tube Ø or Thread									
	1/8									
	1/4									
	3/8									
3/8	Tube Ø or Thread									
	1/4									
	3/8									
	1/2									
1/2	Tube Ø or Thread									
	1/2									
10mm	Tube Ø or Thread									
	1/4									
	3/8									
	1/2									
12mm	Tube Ø or Thread									
	3/8									
	1/2									
14mm	Tube Ø or Thread									
	1/2									

# Technical Specifications

## Temperature/Pressure

Product Line	Temperature	Tube Sizes/PSI													
		1/8"	5/32"	3/16"	1/4"	5/16"	3/8"	1/2"	4mm	6mm	8mm	10mm	12mm	14mm	16mm
PLP Composite	-4° to 175° F	290	290	290	290	290	290	290	290	290	290	290	290	290	290
PLP	0° to 200° F				300	300	300	300	300	300	300	300	300		
PLM	-4° to 302° F		435		435		435	435	435	435	435	435	435	435	
PLS	-4° to 302° F		290		290	290	290	290	290	290	290	290	290		
90° Flow Control	30° to 160° F	145	145		145	145	145		145	145	145	145	145	145	
Swivel Flow Control	30° to 160° F		145		145		145		145	145	145	145	145		
In-Line Flow Control	30° to 160° F		145			145	145	145	145	145	145	145	145		
Plug-In Flow Control	30° to 160° F	145	145		145				145	145	145	145	145		

## Tubing Compatibility

Product Line	Soft Metal Tubing			Thermoplastic Tubing			
	Copper	Aluminum	Stainless steel	Polyethylene	Nylon	95 Shore A Polyurethane	FEP Fluoropolymer
PLP Composite							
PLP							
PLM	G	G					
PLS	G	G	G				
90° Flow Control							
Swivel Flow Control							
In-Line Flow Control							
Plug-In Flow Control							

 Compatible

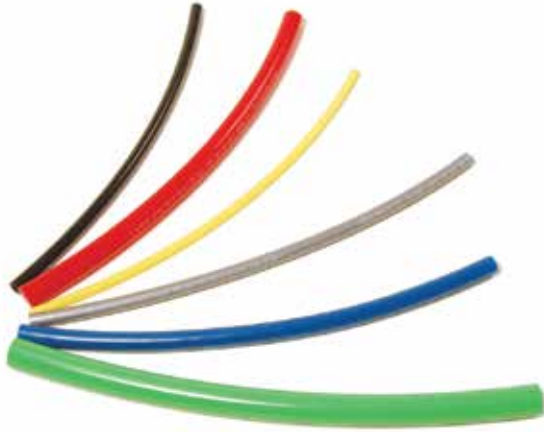
G Tubing must be Grooved

## Flow Control Specifications

Product	Material			Size		Type of Adjustment		Types of Threads				
	Nylon	Brass	Stainless	Compact	Miniature	External Screw	Knobless	NPT	UNF	BSPT	BSPB	Metric
90° Flow Control												
Swivel Flow Control												
In-Line Flow Control												
Plug-In Flow Control												

 Available

# Tubing



## Nylon

Working Temperature: -65° to 200°F  
(-54° to 93°C)

Ideal for industrial applications, nylon tubing offers excellent durability due to its stable long-term mechanical properties. Parker's semi-rigid nylon is manufactured according to our Eco-Design approach for higher performance.

- Compatible Media: Compressed air, industrial fluid
- Good chemical and humidity resistance
- Excellent material stability (mechanical and chemical)
- Wide range of working pressure and temperature
- Good vibration absorption
- Crack-resistant
- Variety of colors to facilitate circuit identification
- UV-resistant

Working Pressure: up to 375 psi (26 bar)

Maximum pressure and temperature range are dependent on tube diameter used.

Packaging: 50ft, 100ft, 250ft, 25m and 100m  
Reels: 500ft and 1,000ft



## Polyurethane

Working Temperature: -40° to 165°F  
(-40° to 74°C)

Parker's polyurethane 95A durometer tubing offers excellent flexibility and outstanding use in a wide range of applications, allowing for up to 50% space reduction when compared to semi-rigid PA tubing.

- Compatible Media: Compressed air, industrial fluid
- Consistent tensile strength for optimum longevity
- Optimal bend radius
- Good vibration absorption
- Highly flexible
- Low pressure drop
- Constant rigidity and good aging

Working Pressure: up to 233 psi (16 bar)

Maximum pressure and temperature range are dependent on tube diameter used.

Packaging: 50ft, 100ft, 250ft, 25m and 100m  
Reels: 500ft

# Practical Information

## Threaded Connections

National Pipe Thread				
Nominal Thread Size	Threads Per Inch	Max. Torque (inch pounds)	Handtight Engagement	Thread O.D. at Small End
10-32UNF	32	13	Seals Flush	0.187" (4.75mm)
1/16	27	—	0.28" (7.1mm)	0.271" (6.8mm)
1/8	27	70	0.37" (9.4mm)	0.363" (9.2mm)
1/4	18	100	0.49" (12.4mm)	0.477" (12.1mm)
3/8	18	250	0.627" (15.9mm)	0.612" (15.5mm)
1/2	14	308	0.778" (19.7mm)	0.758" (19.2mm)

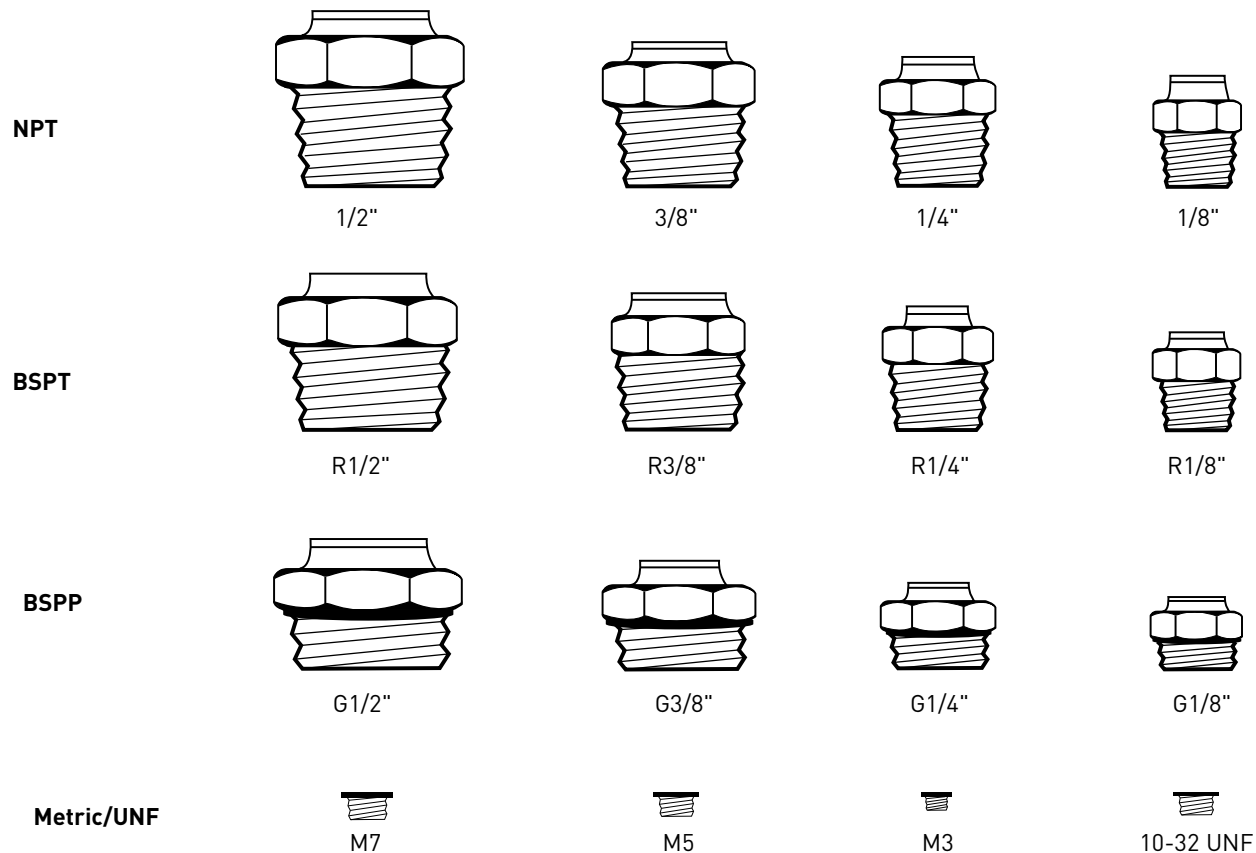
British Standard Pipe			
Nominal Thread Size	Threads per inch	Male Parallel Thread O.D.	Female Parallel Thread I.D.
1/8	28	0.375" (9.5mm)	0.344" (8.7mm)
1/4	19	0.531" (13.5mm)	0.438" (11.1mm)
3/8	19	0.656" (16.7mm)	0.534" (13.6mm)
1/2	14	0.813" (20.6mm)	0.719" (18.3mm)

Metric Thread					
Metric Thread Size	Male Thread O.D. (mm)	Metric Thread Size	Male Thread O.D. (mm)	Metric Thread Size	Male Thread O.D. (mm)
M5 x 0.75	5	M14 x 1	14	M27 x 1.50	27
M6 x 0.75	6	M14 x 1.25	14	M27 x 2	27
M6 x 1	6	M14 x 1.50	14	M30 x 1.50	30
M7 x 0.75	7	M15 x 1.25	15	M30 x 2	30
M7 x 1	7	M15 x 1.50	15	M33 x 1.50	33
M8 x 1	8	M16 x 1.25	16	M33 x 2	33
M8 x 1.50	8	M16 x 1.50	16	M24 x 2	24
M9 x 0.75	9	M17 x 1.25	17	M36 x 2	36
M9 x 1	9	M18 x 1.25	18	M39 x 2	39
M10 x 1	10	M18 x 1.50	18	M52 x 2	52
M10 x 1.25	10	M20 x 1.50	20	M42 x 2	42
M10 x 1.50	10	M21 x 1.50	21	M45 x 2	45
M11 x 1	11	M22 x 1.50	22	M48 x 2	48
M12 x 1	12	M23 x 1.50	23	M52 x 2.50	52
M12 x 1.25	12	M24 x 1.50	24		
M12 x 1.50	12	M25 x 1.50	25		
M13 x 1.25	13	M26 x 1.50	26		



When looking at a Parker Legris fitting or adapter, there is a ring groove at the end of the thread to identify NPT threads. If the end of the base is smooth, the thread is BSPT. This applies to all threaded fittings, adapters and right angle flow control valves.

## Threaded Profiles – actual size



# Parker Fluid Connectors Group

## North American Divisions & Distribution Service Centers

**Your complete source** for quality tube fittings, hose & hose fittings, brass & composite fittings, quick-disconnect couplings, valves and assembly tools, locally available from a worldwide network of authorized distributors.

### **Fittings:**

Available in fractional inch and metric sizes covering BSPP thread configurations, manufactured from steel, stainless steel, brass, aluminum, nylon and thermoplastic.

### **Worldwide Availability:**

Parker operates Fluid Connectors manufacturing locations and sales offices throughout North America, South America, Europe and Asia-Pacific.

**For information,** call toll free...

**1-800-C-PARKER**  
**(1-800-272-7537)**

### **North American Divisions**

#### **Energy Products Division**

Stafford, TX  
phone 281 566 4500  
fax 281 582 5271

#### **Fluid System Connectors Division**

Otsego, MI  
phone 269 694 9411  
fax 269 694 4614

#### **Hose Products Division**

Wickliffe, OH  
phone 440 943 5700  
fax 440 943 3129

#### **Industrial Hose Division**

Wickliffe, OH  
phone 440 943 5700  
fax 440 943 3129

#### **Parflex Division**

Ravenna, OH  
phone 330 296 2871  
fax 330 296 8433

#### **Quick Coupling Division**

Minneapolis, MN  
phone 763 544 7781  
fax 763 544 3418

#### **Tube Fittings Division**

Columbus, OH  
phone 614 279 7070  
fax 614 279 7685

### **Distribution Service Centers**

#### **Buena Park, CA**

phone 714 522 8840  
fax 714 994 1183

#### **Conyers, GA**

phone 770 929 0330  
fax 770 929 0230

#### **Louisville, KY**

phone 502 937 1322  
fax 502 937 4180

#### **Portland, OR**

phone 503 283 1020  
fax 503 283 2201

#### **Toledo, OH**

phone 419 878 7000  
fax 419 878 7001  
fax 419 878 7420  
(FCG Kit Operations)

#### **Canada**

##### **Grimsby, ONT**

phone 905 945 2274  
fax 905 945 3945  
(Contact Grimsby for other Service Center locations.)

