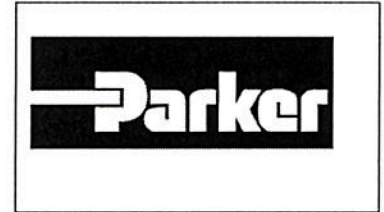




ABSA
the pressure equipment safety authority
STATUTORY DECLARATION
Registration of Fittings



I, Craig Beckwith,
Division General Manager
(company title, e.g. vice president, plant manager, chief engineer) (must be in a position of authority)
of Parker Hannifin Corporation, Instrumentation Products Division
(name of manufacturer)
located at 1005 A Cleaner Way, Huntsville, Alabama 35805
(plant address)

do solemnly declare that the fittings listed hereunder, which are subject to the Safety Codes Act (check one)

- comply with the requirements of _____ which specifies the dimensions, (title of recognized North American Standard) materials of construction, pressure/temperature ratings and identification marking of the fittings, or
- are not covered by the provisions of a recognized North American standard and are therefore manufactured to comply with MSS-SP-99 as supported by the attached data which identifies the dimensions, materials of construction, pressure/temperature ratings and the basis for such ratings, and the marking of the fittings for identification.

I further declare that the manufacture of these fittings is controlled by a quality control program which has been verified by the following authority, Det Norske Veritas as being suitable for the manufacture of these fittings to the stated standard. The fittings covered by this declaration, for which I seek registration, are R-max valves

In support of this application, the following information, calculations and/or test data are attached:

Catalog 4140-R, "Parker R-max Stream Switching System", ISO certificate
Parker R-max Stream Switching System Pressure Integrity Report 2013

DECLARED before me at Madison County in the State of Alabama
this 9th day of October, 2013
(Month) (Year)
(print) Sheri Coggan
(sign) Sheri Coggan
(A Commissioner for Oaths)

[Signature]
(Signature of Applicant)

For Office Use Only

To the best of my knowledge and belief, the application meets the requirements of the Safety Codes Act and CSA Standard B51, Clause 4.2, and is accepted for registration in Category C

Registration Number: 0C 07 473 . 52

Date Registered: DEC 15 2013

MILLA GRYNCHUK
(For the Administrator/Chief Inspector of Alberta)
Expiry Date: 2023-11-14

December 15, 2013

Attention: Tanya Francis
TECHNICAL STANDARDS & SAFETY AUTHORITY
3300 BLOOR STREET WEST
14 FLOOR CENTRE TOWER
TORONTO, ON M8X 2X4

The design submission, tracking number 2013-08726, originally received on November 20, 2013 was surveyed and accepted for registration as follows:

CRN : 0C07473.52

Accepted on: December 15, 2013

Reg Type: Addition to Acc. Fitting

Expiry Date: November 14, 2023

Drawing No. : CATALOG NO 4140-R

Fitting type: STREAM SWITCHING SYSTEM

Design registered in the name of : PARKER HANNIFIN

The registration is conditional on your compliance with the following notes:

This registration is valid only for fittings fabricated at the location(s) covered by the QC certificate attached to the accepted AB-41 Statutory Declaration form. This registration is valid only until the indicated expiry date only if the Manufacturer maintains a valid quality management system approved by an acceptable third-party agency until that date. Should the approval of the quality management system lapse before the expiry date indicated above, this registration shall become void.

CRN renewal

An invoice covering survey and registration fees will be forwarded from our Revenue Accounts.

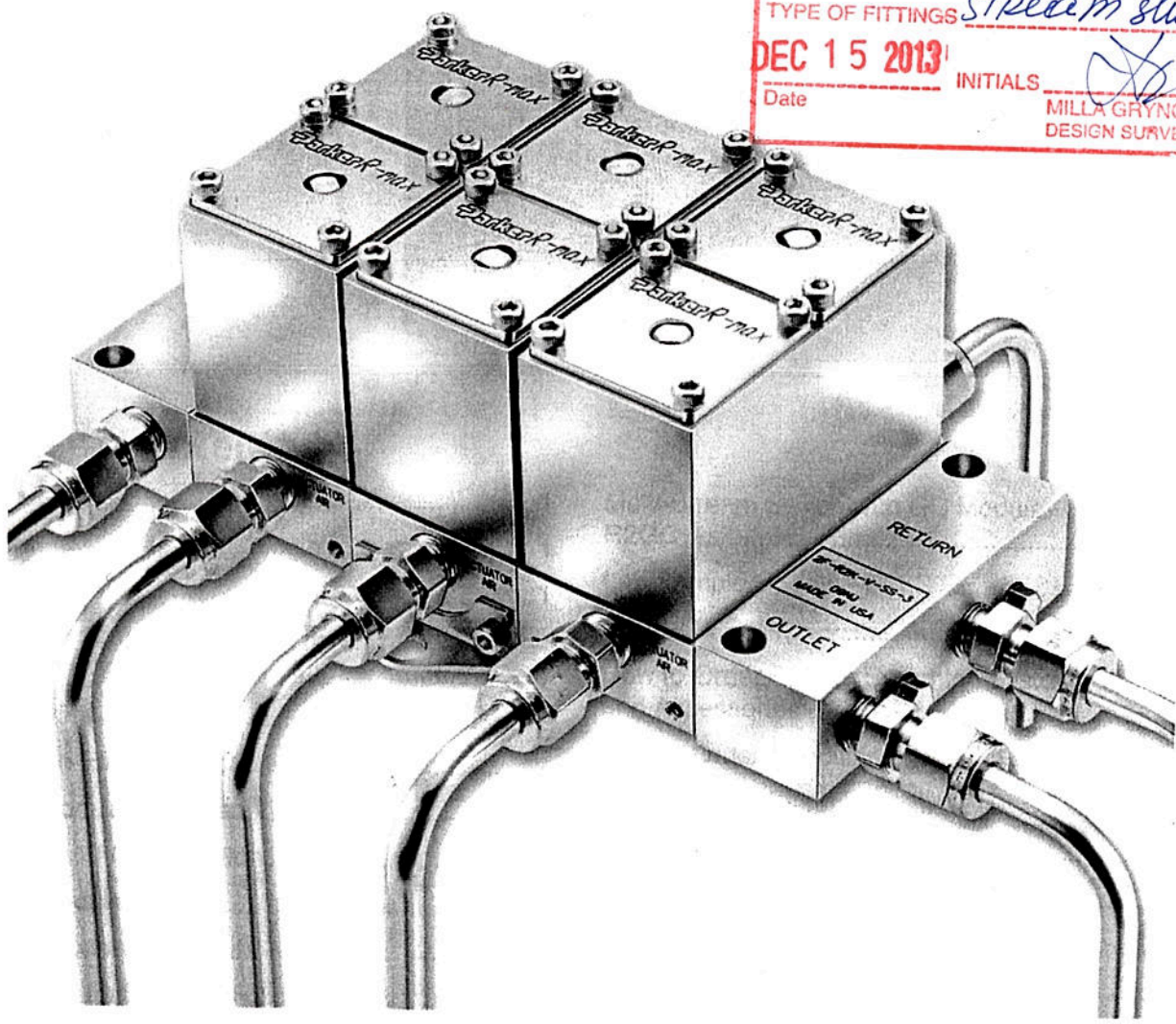
If you have any question don't hesitate to contact me by phone at (780) 433-0281 ext 3330 or fax (780) 437-7787 or e-mail grynchuk@absa.ca.

Sincerely,



GRYNCHUK, MILLA

HSW
 SAFETY CODES ACT - PROVINCE OF ALBERTA
 REGISTRATION OF FITTINGS
 REGISTRATION NO. **0C 07473 52**
 DWG. NO. or CAT. NO. *4140-R*
 TYPE OF FITTINGS *Stream switch. syst.*
DEC 15 2013
 Date INITIALS *[Signature]*
 MILLA GRYNCHUK, P.Eng.
 DESIGN SURVEY ENGINEER



Parker R-max™ Stream Switching System

Catalog 4140-R

January 2011

- aerospace
- climate control
- electromechanical
- filtration
- fluid & gas handling
- hydraulics
- pneumatics
- process control
- sealing & shielding



ENGINEERING YOUR SUCCESS.