

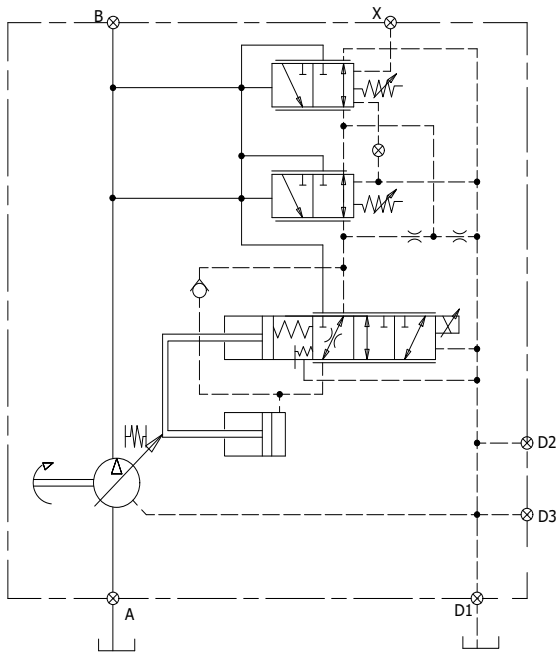
# P1M Series

## Control Options

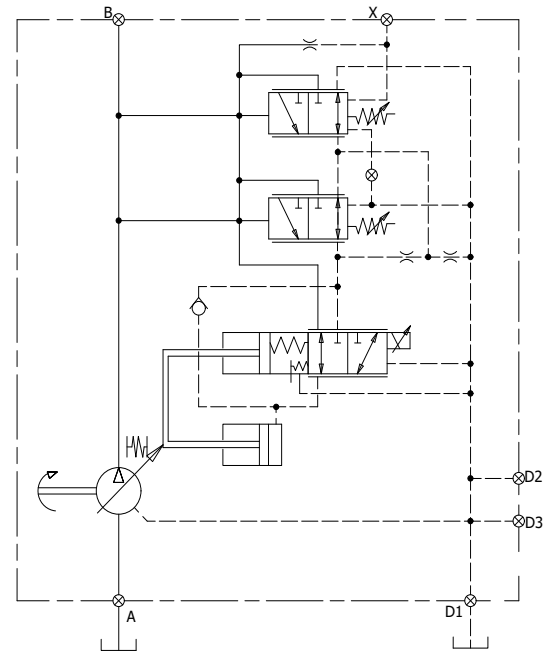


### Control Options

#### Electronic Displacement Controls



EDC (MAX DEFAULT) W/ PMAX & LOAD SENSE

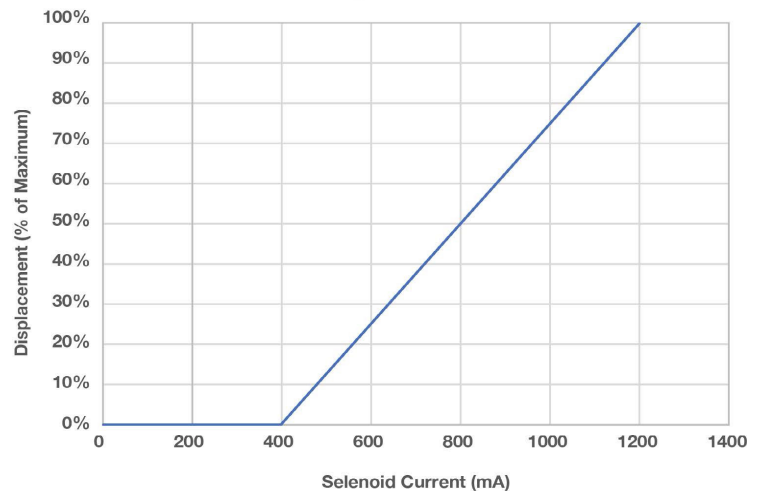


EDC (MIN DEFAULT) W/ PMAX & PILOT OPERATED PRESSURE LIMITER CONTROL

Valve Specifications	
Default Options	Min / Max
Voltage	12 VDC
Power	26 W
Current	2.2 A
Resistance	5.5 $\Omega$
Signal	100-250 Hz PWM ~35 Hz dither
Connector	DT04-2P Deutsch
Protection Class	Connector IP69K

Displacement vs Current, Nominal Characteristics

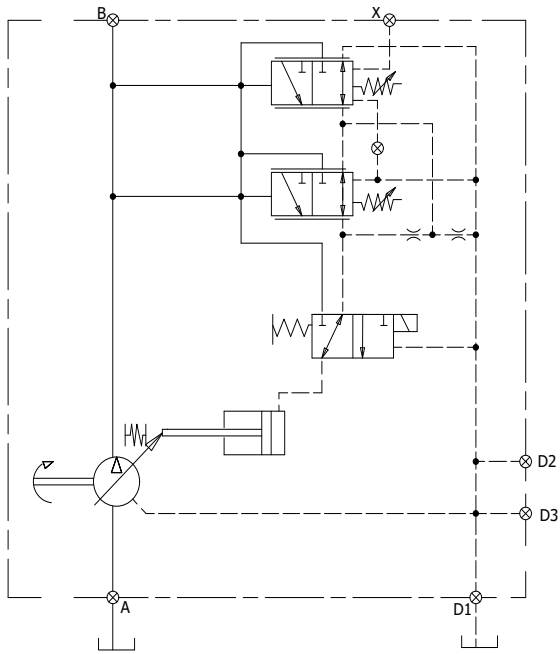
Voltage: 12 VDC



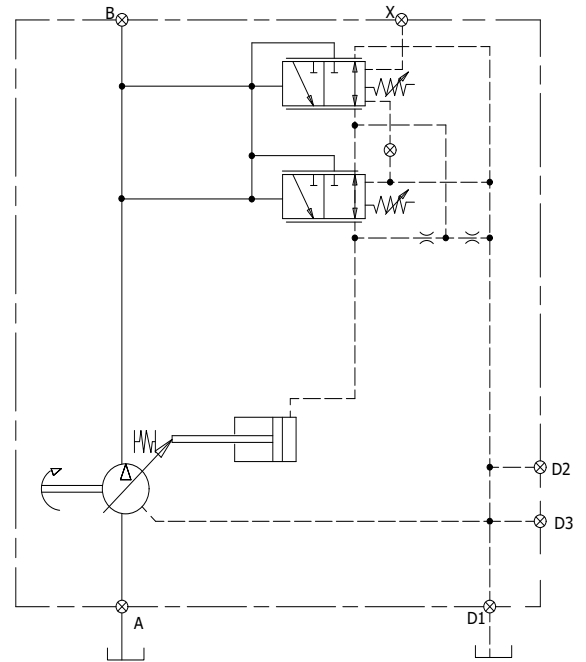
ENGINEERING YOUR SUCCESS.

# Additional Control Options

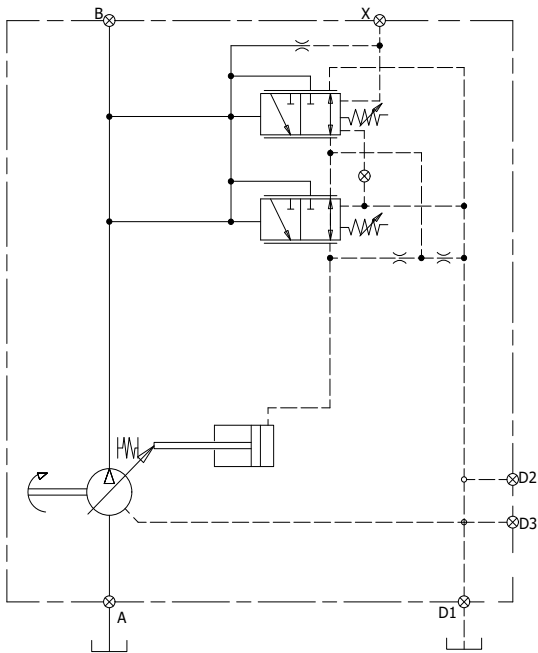
- Pressure Compensator
- Load Sense
- Remote Compensator
- Electronic Unload



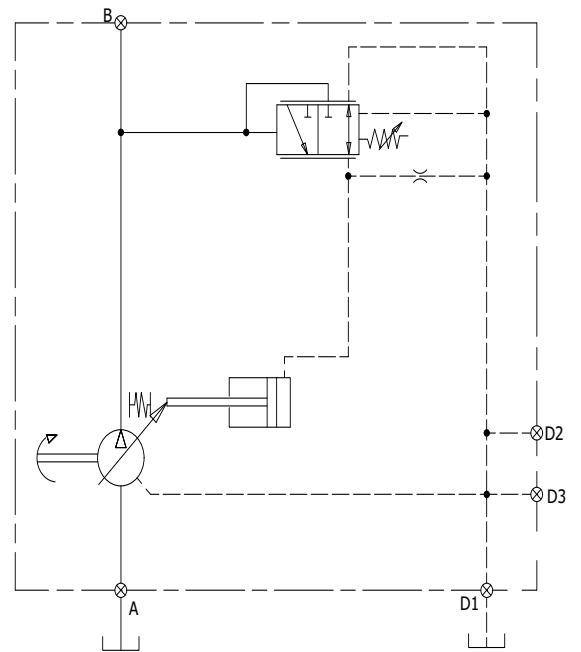
LOAD SENSE W/PMAX AND COLD START UNLOAD



LOAD SENSE W/ PRESSURE LIMITER (P/Max)



PILOT OPERATED PRESSURE LIMITER CONTROL



PRESSURE LIMITER (P/Max)

