

aerospace
climate control
electromechanical
filtration
fluid & gas handling
hydraulics
pneumatics
process control
sealing & shielding



Directional Control & Sandwich Valves

NFPA D03 & D05

▶▶ *Hydraulic*
Express Program



ENGINEERING YOUR SUCCESS.

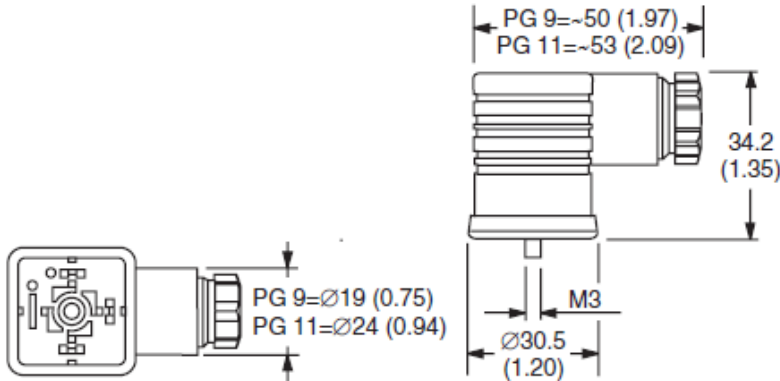
Together, we can deliver.....

- Quick turnaround – Core products delivered from stock
- Common configurations offered
- NFPA D03 & D05 Directional Control Valves are CSA Approved
- NFPA D03 Sandwich Valves may also be used with Parker's Cartpak series
- All seals are Nitrile
- Quantity based pricing applies to this program
- Combine D1VW, D3W and Sandwich valves to achieve maximum discounting
- Outlined on your discount schedule for product 0066C

Core Products		Style and Spools	Solenoid Voltage			Electrical Connection	
NFPA D03	NFPA D05		12VDC	24VDC	120VAC	DIN	Conduit Box (Plug-In Style)
D1VW001CNKW4			X			X	
D1VW001CNJW4	D3W001CNJW4			X		X	
D1VW001CNYW4	D3W001CNYW4					X	
D1VW001CNJG45				X			X
D1VW001CNYG45	D3W001CNYKZ4					X	X
D1VW002CNKW4			X			X	
D1VW002CNJW4	D3W002CNJW4			X		X	
D1VW002CNYW4	D3W002CNYW4					X	
D1VW002CNJG45				X			X
D1VW002CNYG45	D3W002CNYKZ4					X	X
D1VW004CNKW4			X			X	
D1VW004CNJW4	D3W004CNJW4			X		X	
D1VW004CNYW4	D3W004CNYW4					X	
D1VW004CNJG45				X			X
D1VW004CNYG45	D3W004CNYKZ4					X	X
D1VW008CNKW4			X			X	
D1VW008CNJW4	D3W008CNJW4			X		X	
D1VW008CNYW4	D3W008CNYW4					X	
D1VW008CNJG45				X			X
D1VW008CNYG45	D3W008CNYKZ4					X	X
D1VW020BNKW4			X			X	
D1VW020BNJW4	D3W020BNJW4			X		X	
D1VW020BNYW4	D3W020BNYW4					X	
D1VW020BNJG45				X			X
D1VW020BNYG45	D3W020BNYKZ4					X	X
D1VW020DNKW4			X			X	
D1VW020DNJW4	D3W020DNJW4			X		X	
D1VW020DNYW4	D3W020DNYW4					X	
D1VW020DNJG45				X			X
D1VW020DNYG45	D3W020DNYKZ4					X	X

Valve Accessories & Technical Data

Solenoid Connectors



Description	Variation	Order Number
DIN 43650	Black	692914

Bolt Kits for D1V Directional Control Valves

Number of Sandwich Valves (40mm Thickness)			
0	1	2	3
BK209	BK243	BK225	BK244
1.25in	2.88in	4.38in	6.00in
All bolts are SAE Grade 8, 10-24 UNC 2A thread			

Specifications

Mounting Pattern	NFPA D03, CETOP 3, NG 6	Leakage Rates* 100 SSU @ 49°C (120°F)	Maximum Allowable: 19.7 cc (1.2 Cu. in.) per Minute/Land @ 69 Bar (1000 PSI)* 73.8 cc (4.5 Cu. in.) per Minute/Land @ 207 Bar (3000 PSI)*												
Mounting Interface	DIN 24340-A6 ISO 4401-AB-03-4-A CETOP R35H 4.2-4-03, NFPA D03														
Maximum Pressure	P, A, B 345 Bar (5000 PSI) Standard 207 Bar (3000 PSI) 10 Watt CSA 276 Bar (3750 PSI) Tank: 103 Bar (1500 PSI) AC only 207 Bar (3000 PSI) DC/AC Rectified Standard 207 Bar (3000 PSI) AC Optional CSA 103 Bar (1500 PSI)	*#008 and #009 Spools may exceed these rates. Consult Factory	Typical: 4.9 cc (0.3 Cu. in.) per Minute/Land @ 69 Bar (1000 PSI)* 26.2 cc (1.6 Cu. in.) per Minute/Land @ 345 Bar (5000 PSI)												
		Response Time	Response time (milliseconds) at 345 Bar (5000 PSI) is 32 LPM (8.5 GPM).												
		<table border="1"> <thead> <tr> <th>Solenoid Type</th> <th>Pull-In</th> <th>Drop-Out</th> </tr> </thead> <tbody> <tr> <td>AC</td> <td>13</td> <td>20</td> </tr> <tr> <td>DC 10 Watt</td> <td>61</td> <td>22</td> </tr> <tr> <td>DC 30 Watt</td> <td>51</td> <td>21</td> </tr> </tbody> </table>	Solenoid Type	Pull-In	Drop-Out	AC	13	20	DC 10 Watt	61	22	DC 30 Watt	51	21	
Solenoid Type	Pull-In	Drop-Out													
AC	13	20													
DC 10 Watt	61	22													
DC 30 Watt	51	21													

Manapak Sandwich Valves

Sandwich valves provide a variety of check, flow control, pressure relief and pressure reducing functions in a compact NFPA D03, D05, D07 and D08 sandwich style valve. The NFPA D03 valve body conforms to the ISO 40 mm (1.57") thickness. These valves are mounted between directional control valves and their mounting surface.

The NFPA D03 Sandwich valves may also be used in conjunction with Parker's Cartpak Series of sandwich valves which offer a wide variety of additional functions including relief, pressure reducing/relieving, load check, back pressure check, needle, flow control, pressure compensated flow control, crossover, relief and directional valves.

Manapak No.	Style	Seals		Adjustment		Ports
		Nitrile	Fluorocarbon	Allen Hex	Knob	
CPOM2DDN		X				A&B
CPOM3DDV			X			A&B
CPOM2AAN		X				A
CPOM3AAV			X			A
FM2DDKN		X			X	A&B
FM2DDSN		X		X		A&B
FM3DDKV			X		X	A&B
PRDM2PP16SNS		X		X		A&B
PRDM2PP21SNS		X		X		A&B
PRM3PP25KVS			X		X	A&B

P.O. Check Valves

Series CPOM, ZRE

- Parker CPOM, ZRE sandwich style, pilot operated check valves can be provided in either single or double configurations.
- The pilot operated checks may be positioned in 'A' port or 'B' port; or both 'A' and 'B' ports.
- Valve bodies are manufactured from steel which provide extra strength and durability for longer life. Internal hardened steel components also provide longer life.
- Large internal flow paths allow high flow at low pressure drop.

Flow Control Valves

Series FM, ZRD

- Parker FM, ZRD sandwich style flow control valves can be provided in either single or double configurations.
The flow controls may be positioned in 'P' port, 'A' port, 'B' port, or both 'A' and 'B' ports.
- Valve bodies are manufactured from steel which provide extra strength and durability for longer life. Internal hardened steel components also provide longer life.
- Two step needles (standard) provide fine adjustment for the first three turns and course adjustment for the last three turns. Fine metering needles are available as an option on D03 and D05 valves.
- Large bypass checks allow high flow at a low pressure drop.
- Reversible (invert 180°) for meter-in or meter-out (D03 & D05 only).

Pressure Reducing Valves

Series PRDM

- PRDM sandwich valves have three-way design for pressure relieving of the secondary side.
- The direct operated, cushioned piston design results in fast response, low leakage and minimal hysteresis.
- PRDM sandwich valves may be selected to reduce pressure in the 'P' port, 'A' port or 'B' port.
- Up to nine pressure adjustment ranges are available with maximum pressure settings.
- PRDM2 is NG06 (CETPO 03)
PRDM3 is NG10 (CETPO05)
- Adjustment options include: internal hex screw, hand knob or internal hex with keylock.



WARNING – USER RESPONSIBILITY

FAILURE OR IMPROPER SELECTION OR IMPROPER USE OF THE PRODUCTS DESCRIBED HEREIN OR RELATED ITEMS CAN CAUSE DEATH, PERSONAL INJURY AND PROPERTY DAMAGE.

This document and other information from Parker-Hannifin Corporation, its subsidiaries and authorized distributors provide product or system options for further investigation by users having technical expertise.

The user, through its own analysis and testing, is solely responsible for making the final selection of the system and components and assuring that all performance, endurance, maintenance, safety and warning requirements of the application are met. The user must analyze all aspects of the application, follow applicable industry standards, and follow the information concerning the product in the current product catalog and in any other materials provided from Parker or its subsidiaries or authorized distributors.

To the extent that Parker or its subsidiaries or authorized distributors provide component or system options based upon data or specifications provided by the user, the user is responsible for determining that such data and specifications are suitable and sufficient for all applications and reasonably foreseeable uses of the components or systems.

Offer of Sale

Please contact your Parker representation for a detailed "Offer of Sale".

(Restricted for use by Parker Hannifin Personnel and Authorized Distributors) © 2015 Parker Hannifin Corporation



Parker Canada Division

Milton (905) 693-3000
Montreal (514) 684-3000
Calgary (403) 291-9284

pcdmktg@parker.com

Parker Policy WI-MK076

Confidential
Effective Date: January 4, 2021
Issue Date: January 4, 2021
Supersedes: June 1, 2015

<http://solutions.parker.com/pcdexpress>