



VOCATIONAL TRUCK PUMP PROGRAM WI-MK130

HYDRAULIC
EXPRESS PROGRAM

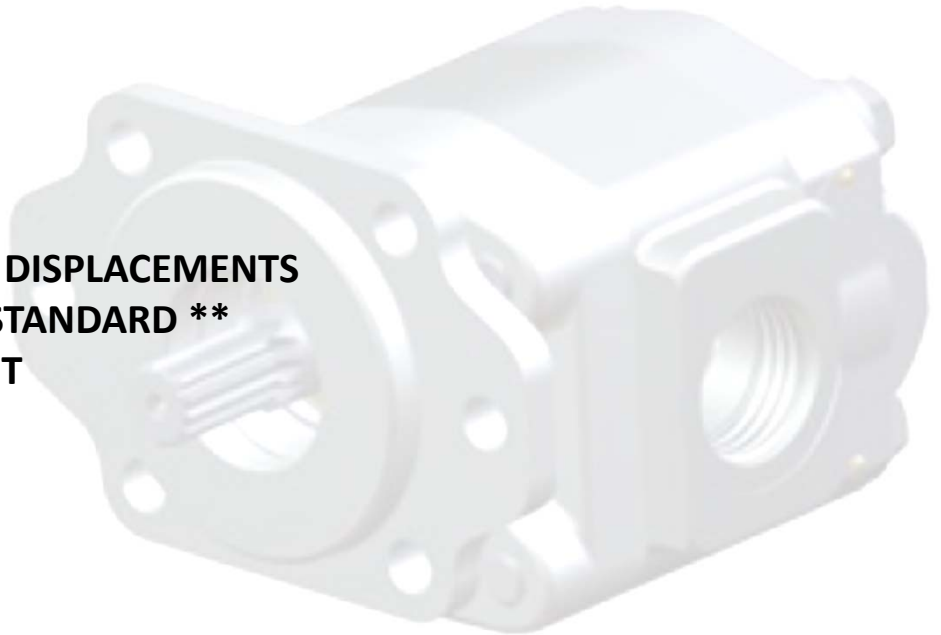


ENGINEERING YOUR SUCCESS.

P20 SERIES								
Part Number	Model Code	Gear	Cu.In	Ports	Side/Rear	Rotation	Mount	Shaft
3089110269	PGP020A346QUIR*05-25	1/2"	0.99	NPT	BOTH	BI	2/4 B	B
3089110281	PGP020A346QUIF*07-25	3/4"	1.47	NPT	BOTH	BI	2/4 B	B
3089110271	PGP020A346QUYF*10-25*	1"	1.97	NPT	BOTH	BI	2/4 B	B
3089110274	PGP020A346JEAF*10-25*	1"	1.97	ORB	BOTH	BI	2/4 B	B
3089110272	PGP020A346QUYF*12-25*	1 1/4"	2.46	NPT	BOTH	BI	2/4 B	B
3089110278	PGP020A346JEAF*12-25	1 1/4"	2.46	ORB	BOTH	BI	2/4 B	B
3089110264	PGP020A346QUYL*15-25*	1 1/2"	2.95	NPT	BOTH	BI	2/4 B	B
3089110275	PGP020A346JEAL*15-25	1 1/2"	2.95	ORB	BOTH	BI	2/4 B	B
3089110265	PGP020A346QUYL*17-25*	1 3/4"	3.44	NPT	BOTH	BI	2/4 B	B
3089110276	PGP020A346JEAL*17-25	1 3/4"	3.44	ORB	BOTH	BI	2/4 B	B
3089110266	PGP020A346QUYL*20-25*	2"	3.94	NPT	BOTH	BI	2/4 B	B
3089110277	PGP020A346JEAL*20-25	2"	3.94	ORB	BOTH	BI	2/4 B	B
3089123003	P20B342BYL20-25BYL20-1	2" x 2"	3.94 x 3.94	NPT	SIDE	BI	4 B	B

- 0.99 in³/rev – 3.94 in³/rev DISPLACEMENTS
- 2/4 BOLT SAE B MOUNT STANDARD **
- 7/8" SAE B SPLINED SHAFT
- NPT & SAE PORTING
- BI DIRECTIONAL

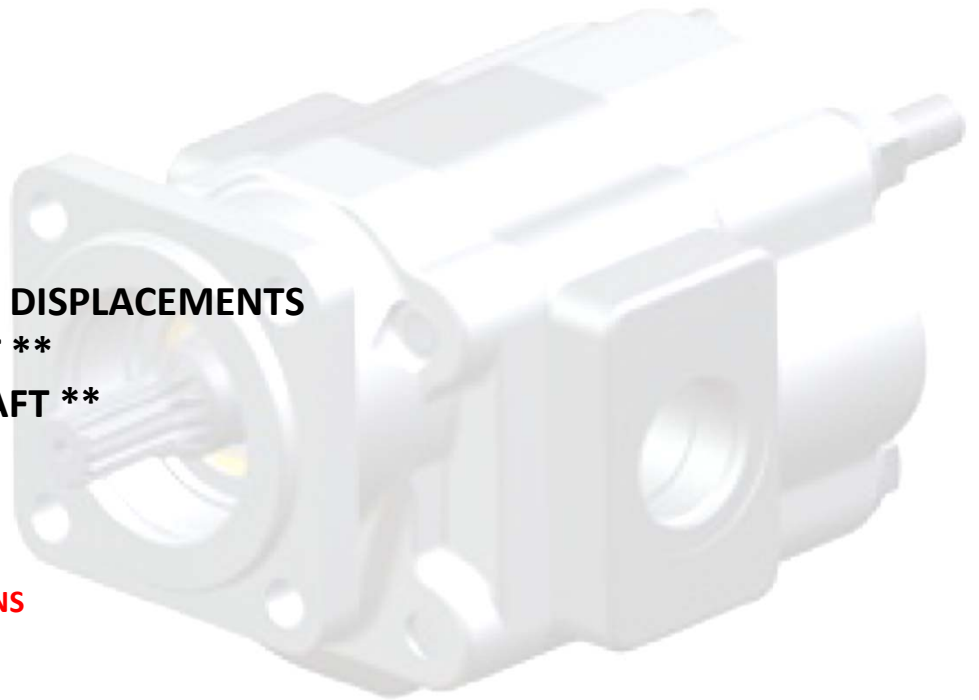
** SEE ABOVE TABLE FOR EXCEPTIONS



P51 SERIES								
Part Number	Model Code	Gear	Cu.In	Ports	Side/Rear	Rotation	Mount	Shaft
3139610664	PGP051A346***YL*17-65*	1 3/4"	4.46	NPT	BOTH	BI	2/4 B	B
3139610769	PGP051A346***AL*17-65	1 3/4"	4.46	ORB	BOTH	BI	2/4 B	B
3139610663	PGP051A346***YL*20-65*	2"	5.10	NPT	BOTH	BI	2/4 B	B
3139610768	PGP051A346***AL*20-65*	2"	5.10	ORB	BOTH	BI	2/4 B	B
3139610659	PGP051A346***YR*22-65*	2 1/4"	5.73	NPT	BOTH	BI	2/4 B	B
3139610767	PGP051A346***AL*22-65*	2 1/4"	5.73	ORB	BOTH	BI	2/4 B	B
3139610367	PGP051A342***YL*25-25*	2 1/2"	6.38	NPT	BOTH	BI	4 B	B
3139610766	PGP051A346***AR*25-65*	2 1/2"	6.38	ORB	BOTH	BI	2/4 B	B
3139610658	PGP051A346***YR*25-65*	2 1/2"	6.38	NPT	BOTH	BI	2/4 B	B
3139610527	P51A-242-BY**25-25	2 1/2"	6.38	SF/ORB	SIDE	CCW	4 B	B
3139610801	PGP051A346***AR*25-**	2 1/2"	6.38	ORB	BOTH	BI	2/4 B	BB
3139610529	P51A-242-BY**25-7	2 1/2"	6.38	SF/ORB	SIDE	CCW	4 B	C
3139610733	PGP051L346***AR*27-65	2 3/4"	7.00	ORB	BOTH	BI	2/4 B	B

- 4.46 in³/rev – 7.0 in³/rev DISPLACEMENTS
- 2/4 BOLT SAE B MOUNT **
- 7/8" SAE B SPLINED SHAFT **
- NPT & SAE PORTING **
- BI DIRECTIONAL **

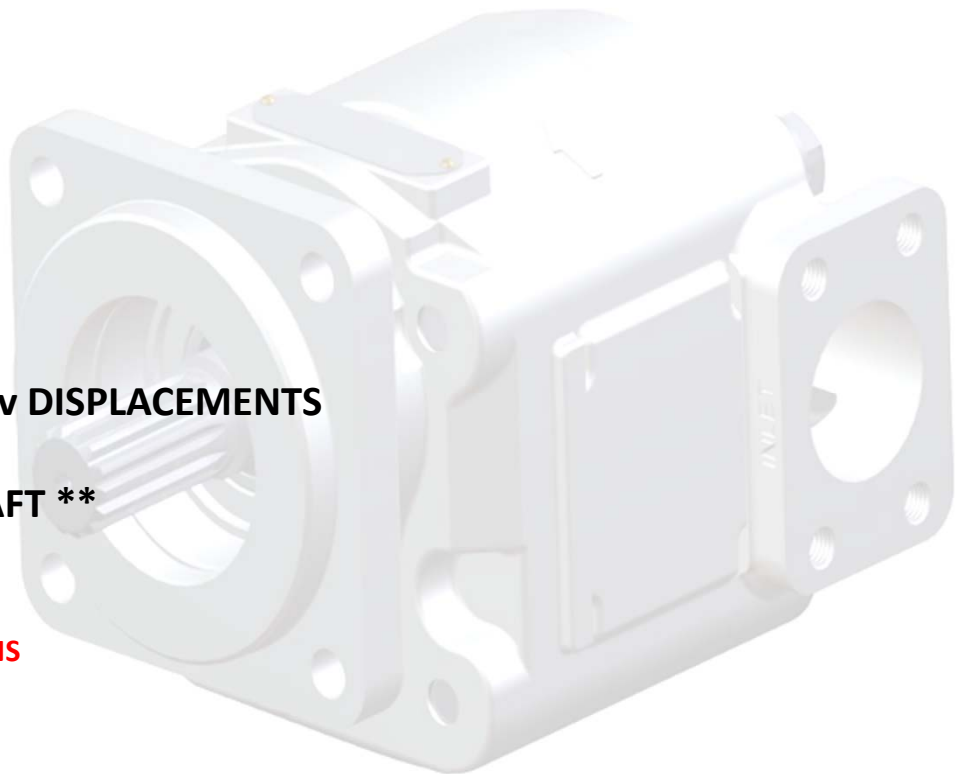
** SEE ABOVE TABLE FOR EXCEPTIONS



P330/P350 SERIES								
Part Number	Model Code	Gear	Cu.In	Ports	Side/Rear	Rotation	Mount	Shaft
3249110486	P330A142**AB15-25	1 1/2"	2.95	ORB	REAR	CW	4 B	B
3249110466	P330A142**AB17-25	1 3/4"	3.44	ORB	REAR	CW	4 B	B
3239110524	PGP350L*142***AB25-25	2 1/2"	6.38	ORB	REAR	CW	4 B	B
3239110525	PGP350L*242***AB25-25	2 1/2"	6.38	ORB	REAR	CCW	4 B	B
3239110444	PGP350L*242**AB25-98	2 1/2"	6.38	ORB	SIDE - PEC	CCW	4 B	BB

- 2.95 in³/rev – 6.38 in³/rev DISPLACEMENTS
- 4 BOLT SAE B MOUNT
- 7/8" SAE B SPLINED SHAFT **
- SAE PORTING

** SEE ABOVE TABLE FOR EXCEPTIONS



DUMP PUMPS								
Part Number	Model Code	Gear	Cu.In	Ports	Side/Rear	Rotation	Mount	Shaft
3149310226	C101DX-25-L-20	2 1/2"	6.38	NPT	REAR	BI	4 B	B
3149325234	C102D-25	2 1/2"	6.38	NPT	REAR	CW	4 B	B
3149325229	C102D-2.5-1	2 1/2"	6.38	NPT	REAR	CCW	4 B	B
3149325227	C102DX-25-A-20 (ASK Installed)	2 1/2"	6.38	NPT	REAR	CCW	4 B	B
3089310418	G102-1-2.0L-4S (Direct Mount)	2"	3.94	NPT	REAR	CCW	4 B	B
3089310416	G102-1-2.0R-4S (Direct Mount)	2"	3.94	NPT	REAR	CW	4 B	B
3089310912	G102-1-2.0R-4D-AS (DIN 5462)	2"	3.94	NPT	REAR	CW	4 B	DIN
3089310913	G102-1-2.0L-4D-AS (DIN 5462)	2"	3.94	NPT	REAR	CCW	4 B	DIN

- 3.94 in³/rev – 6.38 in³/rev DISPLACEMENTS
- 4 BOLT SAE B & ISO 7653 (DIN) MOUNTS**
- 7/8" SAE B SPLINED & DIN 5462 SHAFTS **
- NPT PORTING

** ISO 7653 MOUNT/DIN 5462 SHAFT AVAILABLE IN G102 ONLY



(Restricted for use by Parker Hannifin Personnel and Authorized Distributors) © 2015 Parker Hannifin Corporation



Parker Canada Division

Milton (905) 693-3000

Montreal (514) 684-3000

Calgary (403) 291-9284

pcdmktg@parker.com

Parker Policy MI-WK130

Confidential

Effective Date: March 20th 2017

Issue Date:

Supersedes: N/A

www.parker.com/hbuexpress