

REGISTRATION OF A PRESSURE FITTING DESIGN

02-Feb-21

ABSA
9410 20th Avenue NW
Edmonton, AB
T6N 0A4

Attention: Nathalie Dugo

File Number: 11878 [0 F]

Re: Manufacturer: Parker Hannifin Manufacturing Ltd.
Item: Compressed Air Filters
Catalog or Drawing: ENG-008992

TSASK Codes and Standards Compliance has registered the design listed above in accordance with The Boiler and Pressure Vessel Act and Regulations and CSA B51. The Canadian Registration Number (CRN) is:

OE11278.23 Expiry Date: January 20, 2031

Please note that every fitting shall be constructed in strict accordance with the registered design.

Fitting registrations are required to be resubmitted for validation after ten (10) years from the registration date in accordance with CSA B51, Clause 4.2.1.

Should you require anything further, please do not hesitate to contact the Codes and Standards Compliance Office at your convenience.

Yours truly,



Athan Syrgiannis, P.Eng.
Codes and Standards Compliance

Remarks:

A valid quality control program must be maintained at the production facility for the fitting registration to remain valid until the expiry date.

CRN renewal.

Due to COVID-19 restrictions, this registration is conditional based on TSASK receiving a valid Statutory Declaration that has been witnessed and signed by a Commissioner of Oaths or a Notary Public at your earliest convenience.

**STATUTORY DECLARATION
 Registration of Fittings**
 Single or Multiple Fitting Designs within one Fitting Category

I, Derek Simpson,
 (name of applicant) (position title) (must be in a position of authority)
 of Division Quality Manager
 (name of manufacturer)
 located at Parker Hannifin Manufacturing Ltd, TVTE, Gateshead, NE11 0PZ, UK
 (plant address)



do solemnly declare that the fittings listed hereunder, which are subject to the _____ Safety Codes Act (select only one)

- comply with the requirements of _____ which specifies the dimensions, (title of recognized North American Standard) materials of construction, pressure/temperature ratings and identification marking of the fittings, or
- are not covered by the provisions of a recognized North American standard and are therefore manufactured to comply with ASME Design Calculations as supported by the (title of code of construction or other applicable document) attached data which identifies the dimensions, materials of construction, pressure/temperature ratings and the basis for such ratings, and the identification marking of the fittings.

I further declare that the manufacture of these fittings is controlled by a quality control program which has been verified as described in the below Table as being suitable for the manufacturing of these fittings to the stated standard, regulation, code, guideline or other applicable document. The fittings covered by the declaration for which I seek registration are as provided in the Supplementary Sheet(s) attached.

Quality Program Verification and Manufacturing Sites

A copy of the Quality Certificate from each manufacturing site must be included

Item #	Product Description, Model or Series	Quality Program	Scope of Certification	Expiry Date	Verifying Organization	Location(s) Plant Name and address
1.	Filters & WS OIL-X II Range	ISO9001:2015	The scope of this approval is applicable to: Design, manufacture and refurbishment of filtration, purification & separation solutions for compressed air	27 th June 2022	Lloyds	Parker Hannifin Manufacturing Ltd Dukesway, Team Valley Trading Estate, Gateshead, NE11 0PZ, United Kingdom

Tracking #: _____

			and gas treatment applications including the provision of associated on-site servicing, technical support and training services.			
2.						

In support of this application, the following information, calculations and/or test data are attached:

Full Calculations (This is a RE-APPROVAL of fitting registration OE11278.2C)

(Signature of the Declarer) (D. SIMPSON)

08-01-2021

(Date)

DECLARED before me at _____ in the _____ of _____ (city) (province, territory, or state)

this _____ day of _____, _____ (Month) (Year)

(print) _____ (a Commissioner of Oaths or Notary Public)

(sign) _____ (a Commissioner of Oaths or Notary Public)

_____ (expiry date (mm/dd/yy))

Commissioner of Oaths / Notary Public in and for: _____ (province, territory, or state)

For ABSA Office Use Only:

NOTES: _____

Registration information box containing fields for CRN, Registered Date, Expiry Date, Signature, and a technical authority stamp with registration details.

Table 1 Scope of Fitting Designs**

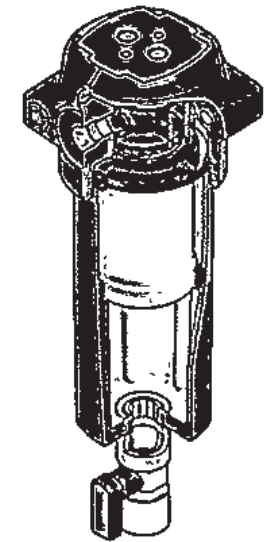
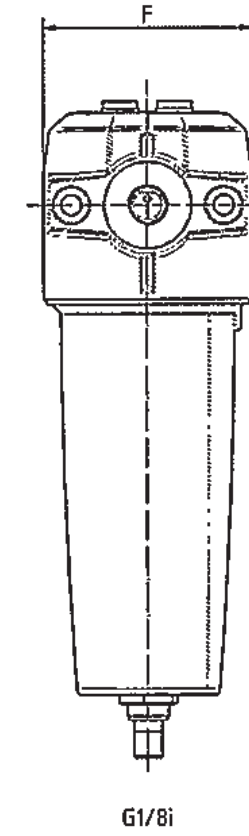
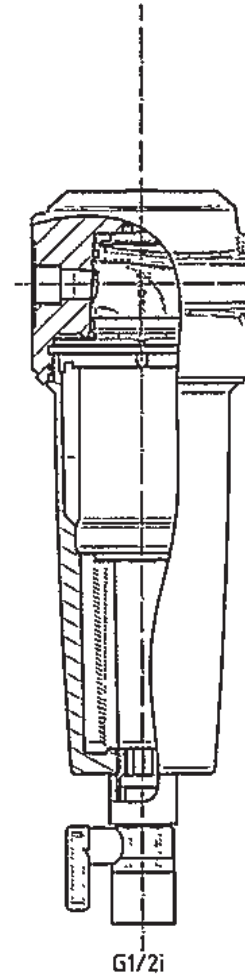
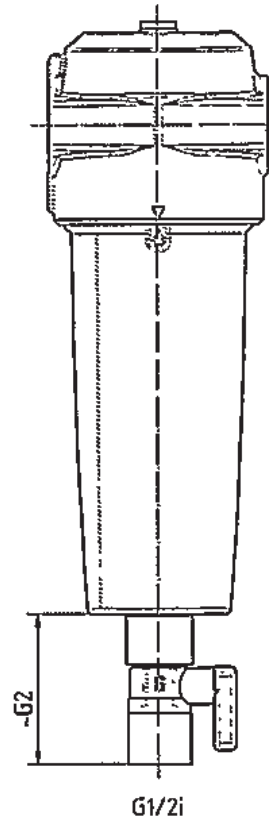
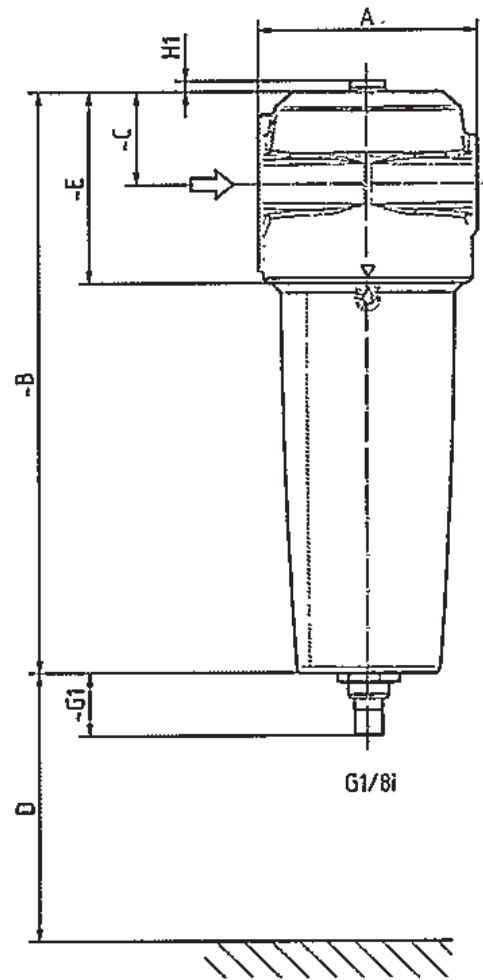
Item #	Primary Pressure Bearing / Retaining Component	Material of Construction	Port Connections and Size Range	MDMT	Rated Pressure		Pressure Class(es) / Schedule(s)	Design Code(s) of Construction	Reference Catalogue (pages) or Drawing(s)
					At Ambient Temperature	At Maximum Temperature			

Table 2 Additional Scope Information

List/Attach Additional Detail and References (Product Configurations, Options, Illustrations, etc.)
Example:
Series X Options

** For additional alternatives of Table 1, refer to Form AB-41a, Guide for Completing Form AB-41

lateral view/Seitenansicht



FILTER TYP	ELEMENT TYP	BSP / NPT	ABMESSUNG/ DIMENSION [mm]									GEWICHT/ WEIGHT [kg]
			A	B	C	D	E	F	G1	G2	H1	
GL 2	CP 1008	1/4"	67	177	23	40	58	65	28	81,5	4,5	0,5
GL 3	CP 2010	3/8"	89	238	38	50	78	85	28	81,5	4,5	1,2
GL 5	CP 2010	1/2"	89	239	38	50	79	85	28	81,5	4,5	1,2
GL 7	CP 2020	3/4"	88	238	38	50	79	85	28	81,5	4,5	1,2
GL 9	CP 3025	1"	130	278	48	70	99	116	28	81,5	4,5	2,8
GL 11	CP 3040	1-1/2"	130	368	48	70	99	116	28	81,5	4,5	2,9
GL 12	CP 4040	1-1/2"	184	440	57	100	135	156	28	81,5	4,5	6,3
GL 13	CP 4050	2"	164	532	57	100	135	156	28	81,5	4,5	6,6
GL 14	CP 4085	2-1/2"	184	532	57	100	135	156	28	81,5	4,5	6,4
GL 17	CP 5085	2-1/2"	192	654	72	120	158	182	28	81,5	4,5	9,2
GL 19	CP 5080	3"	192	844	72	120	158	182	28	81,5	4,5	13,8

Technical Safety Authority of Saskatchewan

Registration No. OE11278.53

File No. 11878

Registered

Date: February 2, 2021

Expiry Date: January 20, 2031

Codes & Standards Compliance Office

Arbeits-Nr. / Article-no		Werkstoff / Material		Gewicht / Weight
Allgemeintoleranz / General Tolerances		Oberflächen / Surface		10.1 10.2
DIN ISO 2768-mS		DIN EN ISO 1302		
Datum/date		Name		Benennung / designation Filter GL 2" - GL 19" Übersicht / GA für England Zeichnungs-Nr. / Drawing no. ENG-008992
20.07.2010		Svenja Selbmann		
21.07.2010		Svenja Schütz		Zustimmungs-Nr. / Drawing no. ENG-008992
21.07.2010		Svenja Schütz		
Indez / Index	Änderung/revision	Datum/date	Name	Zustimmungs-Nr. / Drawing no.

Urheber und Mitzeichnungsrecht: alle DIN ISO 15016 / Copyright Protection according to DIN ISO 15016