

Notice of Discontinuance

Subject	Compressor Room Fittings
----------------	---------------------------------

Parker Transair announces the discontinuance of the following fittings from our Compressor Room offering.

- Expander Tee
- Reducer Y
- 3 Flanged Cross
- 1 Flanged Tee



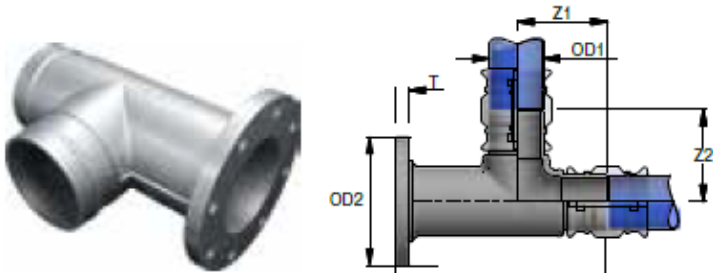
In addition to these obsolesctions, the following part numbers are being discontinued

- RA26 63 00 (Equal Y)
- RA07 L8 00 (Equal Cross)

These items will be discontinued once current inventory levels have been depleted.

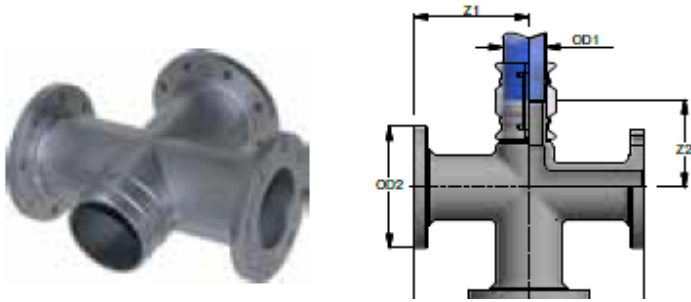
Please see the second page for the full list of discontinued parts

-
1. The Products (s) Shown Above Will Be Discontinued Effective..... March 30, 2023
 2. Orders For Product Will Be Accepted Until.....Inventory Depleted
 3. Last Date Returns Will Be Accepted.....See Annual Return Policy



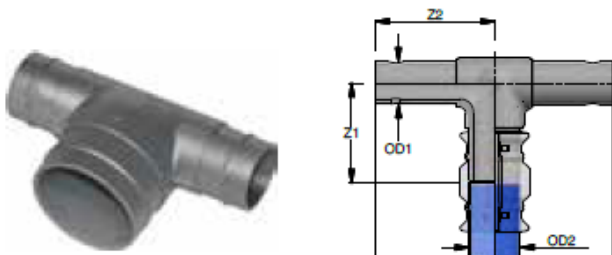
1 Flanged Tee

PART NO.	OD1 (IN)	OD1 (MM)
RA44 L1 00 46	3	76
RA44 L3 00 46	4	101
RA44 L8 00 46	6	168



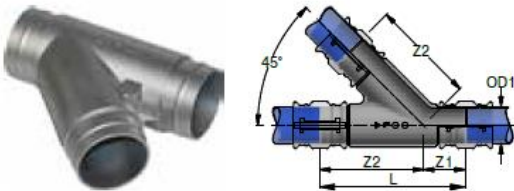
3 Flanged Cross

PART NO.	OD1 (IN)	OD1 (MM)
RA07 L1 03 46	3	76
RA07 L3 03 46	4	101
RA07 L8 03 46	6	168



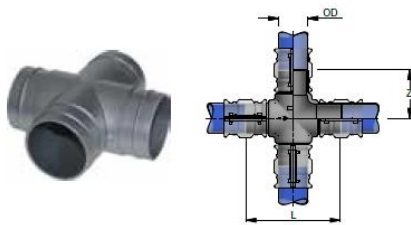
Expanding Tee

PART NO.	OD1 (IN)	OD1 (MM)
RA04 63 L1	2 1/2	63
RA04 L1 L3	3	76
RA04 L3 L8	4	101



Equal Y

PART NO.	OD1 (IN)	OD1 (MM)
RA26 63 00	2 1/2	63



Equal Cross

PART NO.	OD (IN)	OD (MM)
RA07 L8 00	6	168